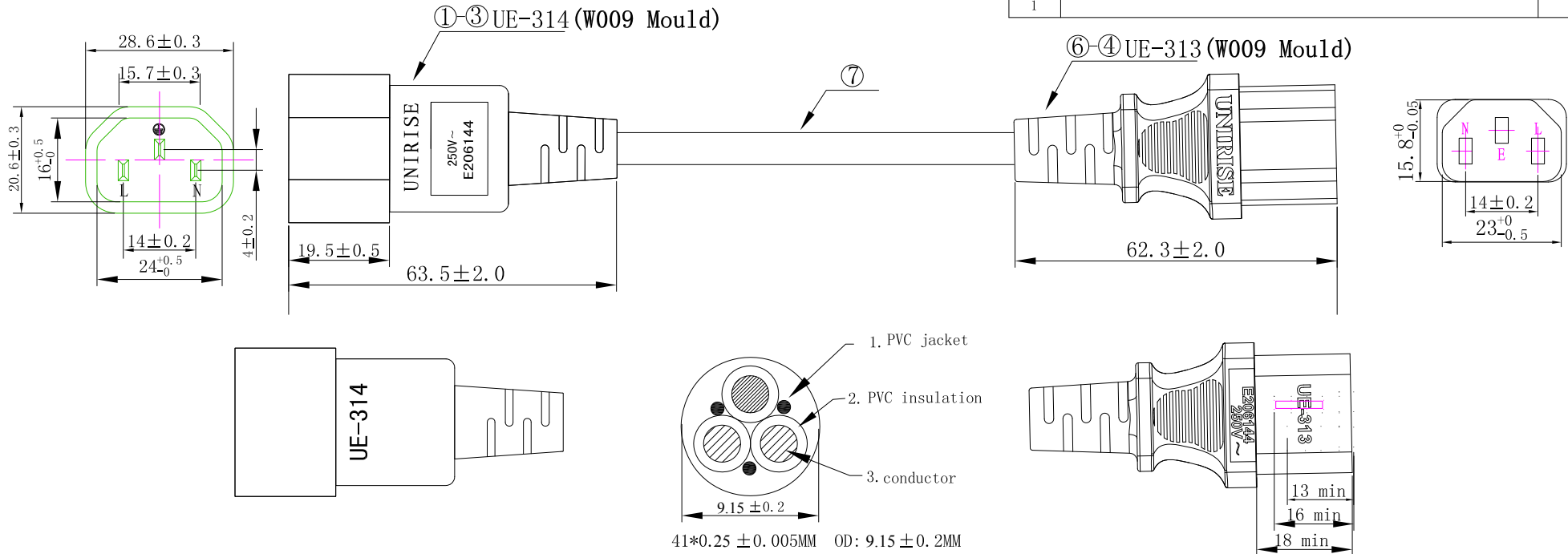


Items	Content Revised	Date
1		



Technical requirements:

1. Plug: a: UE-313 (W009 Mould), Current (A) : 13, Voltage (V) : 250
b: UE-314 (W009 Mould), Current (A) : 13, Voltage (V) : 250
2. Cord: SJT #16/3C 105°C
3. High Voltage Tested: 1500V/S No Attacked, No Flicker
4. No nick, Spot, Mottle Nn Appearance and Wording is Clearly
5. The All Material Compliance with RoHS and REACH

CORD MARKING: E176096 (UL) SJT VW-1 105°C 300V 16AWG UNIRISE

BOM表

8	LK0713	PE two side strip13CM	1PCS	
7	-----	16/3C 105°C SJT	1PCS	
6	BK116000	PVC of plug 77A	/	
5	EW3130	Inside Shelf (S8741PL-39)	1PCS	
4	DX408-3	98740BS-0	3PCS	----
3	BK116000	PVC of plug 77A	/	
2	DX314	Blade of UE-314	3PCS	----
1	EK3140	UE-314 Inner frame		----
Items	Part Number	Description	Q' TY	

CUSTOMER CONFIRM	PWCD-C13C14-13A-XXF-YYY	XXF = LENGTH YYY = COLOR
Drawing No.		Page: Version: A
Power Supply Cord: UE-313+UE-314		Approved by:
Customer:		Checked by:
		Drawn by:
	Unit: mm	Sheet: <i>1/1</i>
		DATE: 2013-01-26